



# BOSCH



## Bosch - HBN531E0B brushed steel Built-in single oven

- Multifunction oven (5 functions; 3D hot air, conventional top and bottom heat, bottom heat, hot air grilling, full width grill)
- Catalytic roof and back liners
- Fast heat
- Child lock
- Electronic clock
- Oven interior light

### Optional accessories:

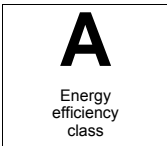
### Characteristics

Color / Material Front : Stainless steel  
 Built-in / Free-standing : Built-in  
 Integrated Cleaning system - cavity 1 : Catalytic  
 Required niche size for installation (HxWxD) : 575-597 x 560 x 550  
 Dimensions of the product (mm) : 595 x 595 x 548  
 Dimensions of the packed product (HxWxD) (mm) : 680 x 680 x 660  
 Control Panel Material : Stainless steel  
 Door Material : Glass  
 Net weight (kg) : 32.00  
 Usable volume of cavity (l) : 52  
 Cooking method first cavity : Conventional heat, Bottom heat, Hot Air, Full width variable grill, Hot air grilling  
 First cavity material : Enamel  
 Temperature control - cavity 1 : mechanical  
 Number of interior lights : 1  
 Approval certificates : KEMA, CE  
 Length electrical supply cord (m) :

### Consumption and connection features

Energy consumption conventional (kWh) - cavity 1 : 0.85  
 Energy consumption forced air convection (kWh) - cavity 1 : 0.79  
 Electrical connection rating (W) : 3600  
 Current (A) : 16  
 Voltage (V) : 220-240  
 Frequency (Hz) : 60; 50  
 Plug type : Fixed connection, No plug

### Alternative colors available:



Electric built-in oven  
 Bosch - HBN531E0B

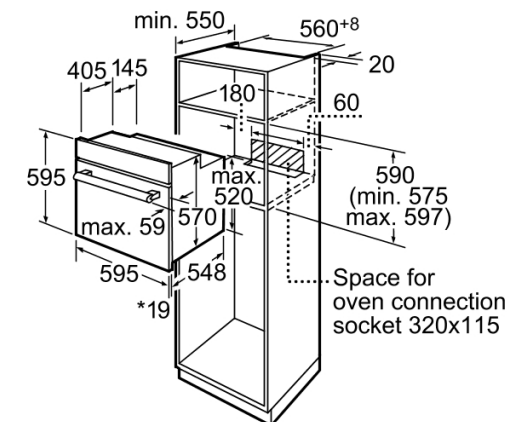
Predecessor:  
 Successor:

EAN code: 4242002447407

sales programme:

### Included accessories:

1 x alu baking tray, 1 x universal pan, 1 x combination grid,  
 1 x insert grid



\*20 mm for metal fascias

Measurements in mm